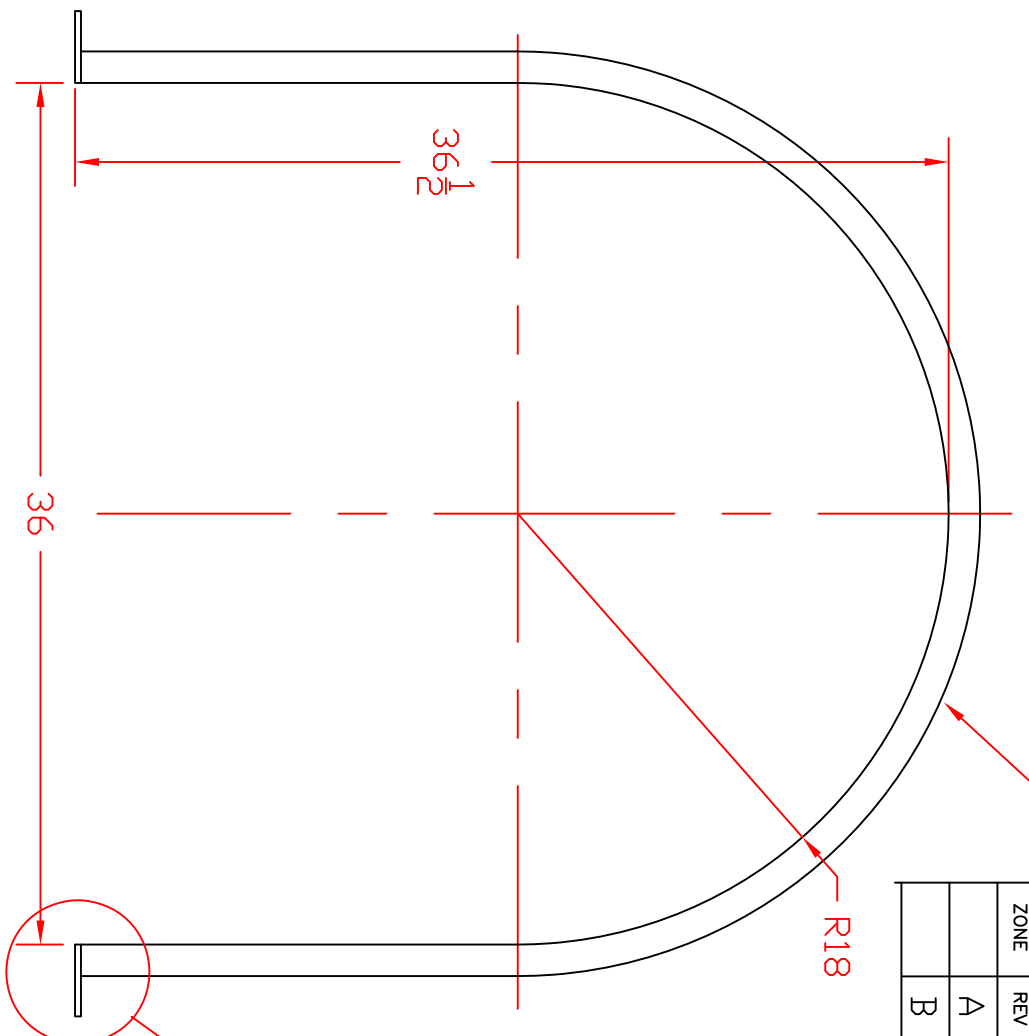
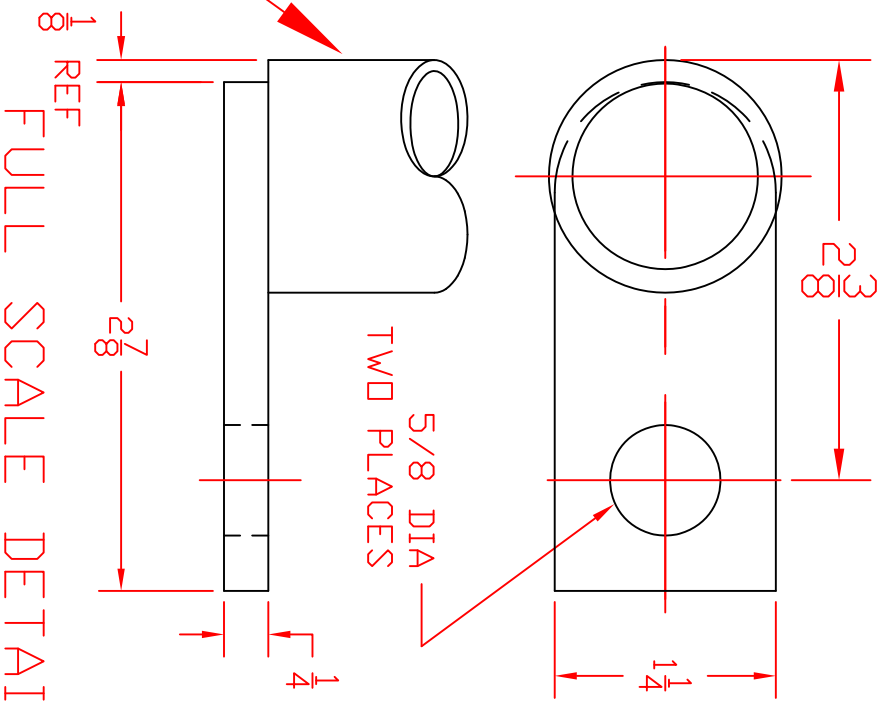


1" PIPE (1.31" OD) W/ .120" WALL



REVISIONS			DATE	APPROVED
ZONE	REV	DESCRIPTION	DATE	APPROVED
	A	REDRAWN	10SEP97	
	B	REVISED & REDRAWN	14JAN04	



FULL SCALE DETAIL

NOTE: WELD WITH LOW HYDROGEN ROD
 FINISH: HOT DIPPED GALVANIZED

THIS DRAWING MODIFIED WITH
 NARROWER FOOT.

<p>NORWESCO ST. BONIFACIUS, MN</p>		BAND, 225, 325 & 330 GALLON HORIZONTAL TANKS	
		SIZE A FSCM NO.	DWG NO. 60478
JTP 14JAN04	SCALE 1/8	SHEET	